

# BERGEY EXCEL 6

The wise choice for Performance, Reliability, and Ruggedness

The New Bergey Excel 6 is ideal for smaller and more efficient homes, farms, and small businesses. Its extra large rotor and low cut-in wind speed give it exceptional performance, out producing all other turbines in its class. More energy means greater savings and a quicker payback.



## The Wise Choice

30 years ago, Bergey pioneered the radically-simple “three moving parts design” that has proven to provide the best reliability, service life, and value of all of the hundreds of competitive designs that have come and gone in that time.

A small wind turbine is a big investment and Bergey is clearly the wise choice.

## Advanced Technology:

- BW-7 Proprietary Low Noise Airfoil
- Powerflex Super High-Strength Blades
- Neo-6 Direct-Drive Permanent Magnet Alternator
- AutoFurl Storm Protection
- 6kW Powersync II Inverter
- Remote Monitoring (optional)



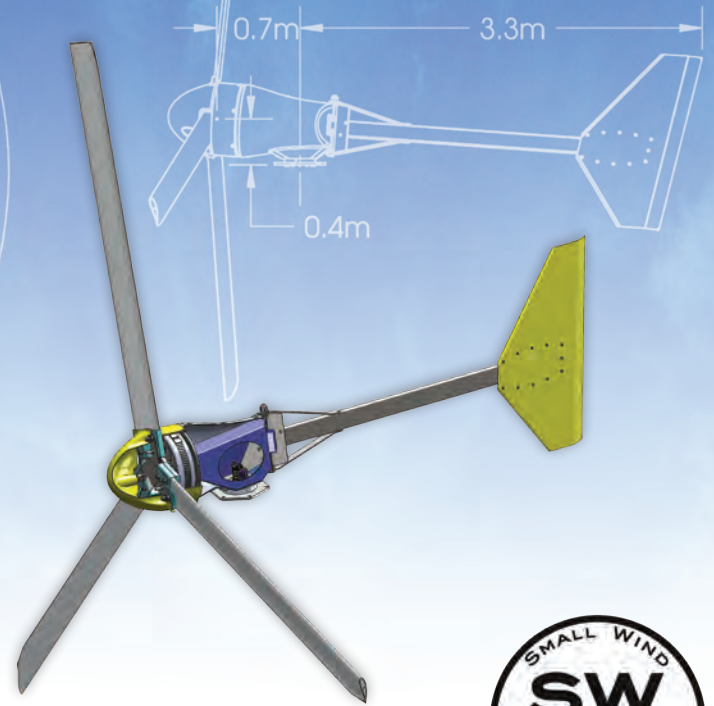
# BERGEY <sup>6.16m</sup> EXCEL 6

## Performance

- AWEA RATED POWER: 5.5 kW @ 24.6 mph (11 m/s)
- PEAK POWER: 6.2 kW
- AWEA ANNUAL ENERGY: 9,920 kWh @ 11 mph (5m/s) Average
- CUT-IN WIND SPEED: 5.6 mph (2.5 m/s)
- CUT-OUT WIND SPEED: None
- FURLING WIND SPEED: 31–45 mph (14–20 m/s)
- MAX DESIGN WIND SPEED: 134 mph (60 m/s)
- NOMINAL ROTOR SPEED: 0–400 rpm

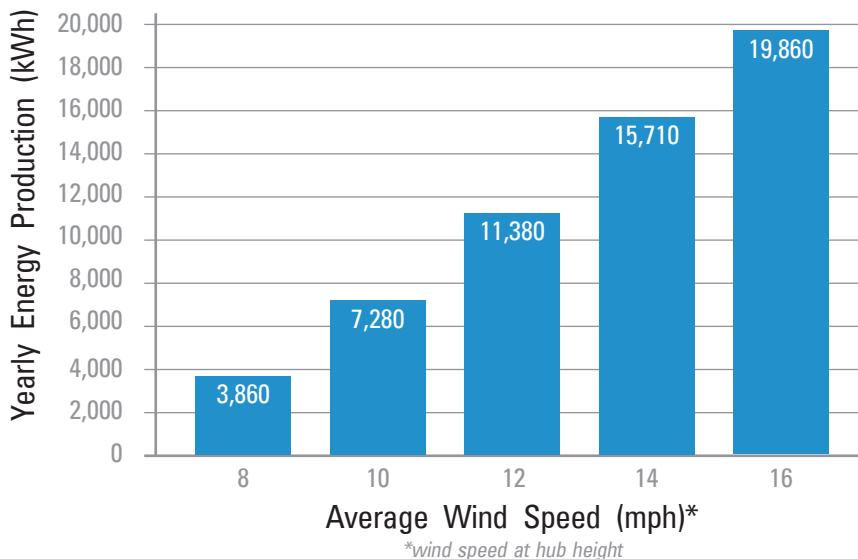
## Mechanical

- TYPE: 3-Blade Upwind, Horizontal Axis
- ROTOR DIAMETER: 20.2 ft. (6.2 m)
- WEIGHT: 772 lb. (350 kg)
- GEARBOX: None
- OVER SPEED PROTECTION: Autofurl®
- TEMPERATURE RANGE: -40/140° F (-40/60° C)
- TOWERS: Guyed and Non-guyed 80–160 ft. (24–49 m)
- ALTERNATOR: 3Ø Neo Permanent Magnet
- INVERTER: 6 kW Powersync II (Outdoor Rated NEMA 3R Enclosure) or 6 kW Power-One
- Remote Monitoring Via Internet and Smartphones (Optional)



**CERTIFIED**  
SMALL WIND TURBINE  
SWCC-10-12

### Annual Energy Output



### Multiple Inverter Options

